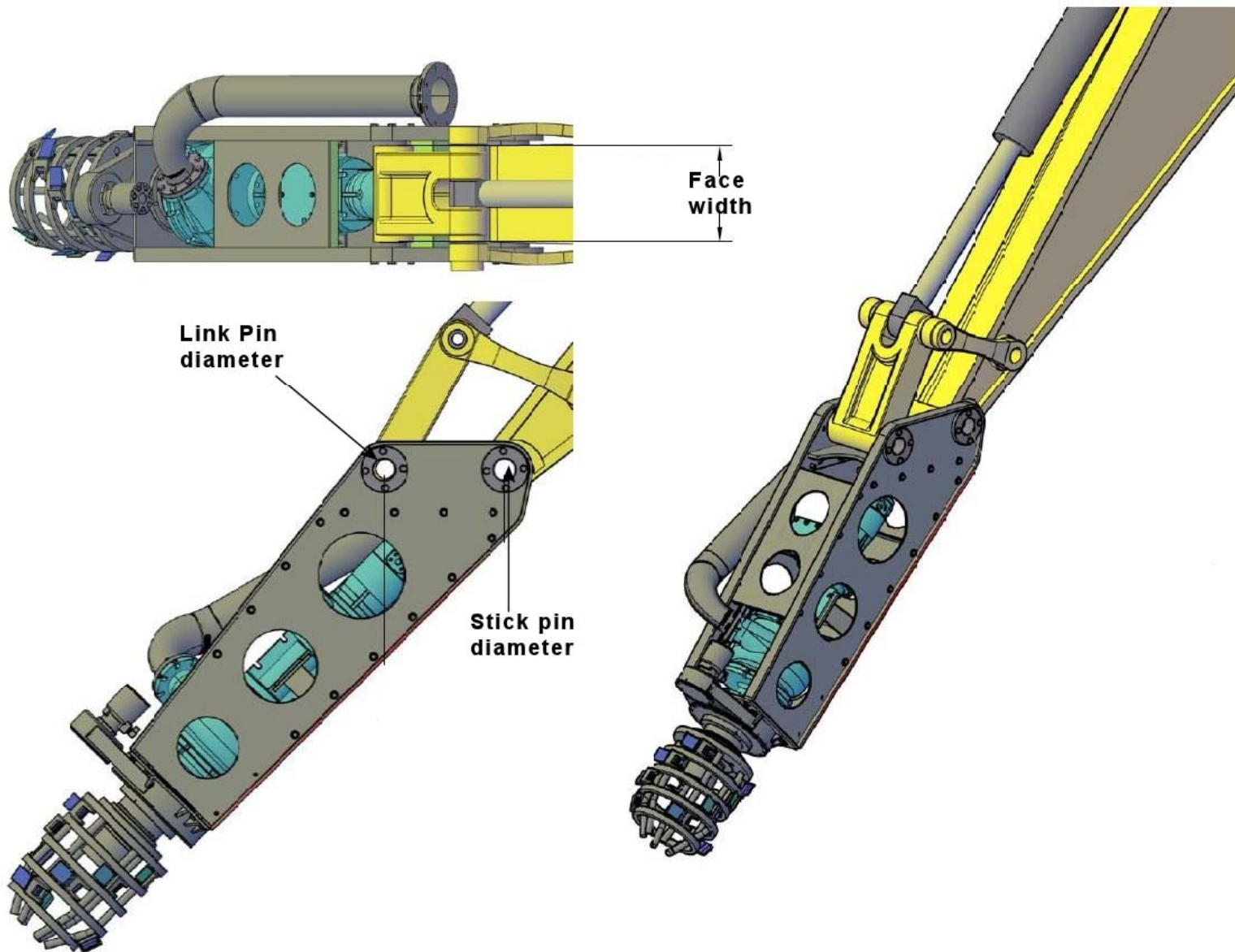


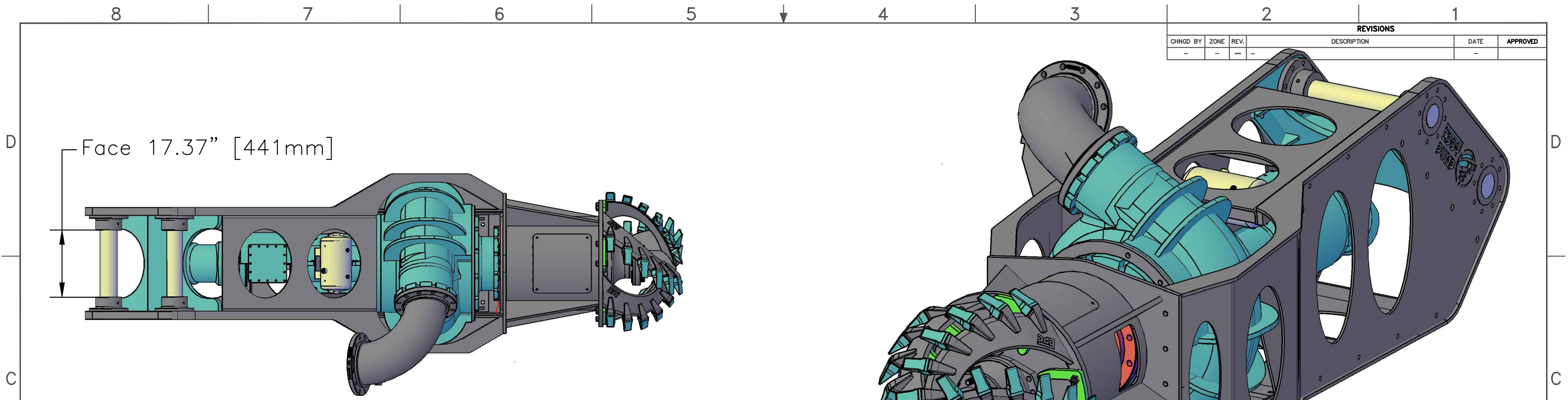
# Excavator Attachment Dredge Pump - Pin Linkage Overview -

Use the following drawings to determine your pin size in MM. This is important to ensuring a correct fit. Contact us if you have questions.



See common linkage configurations below.

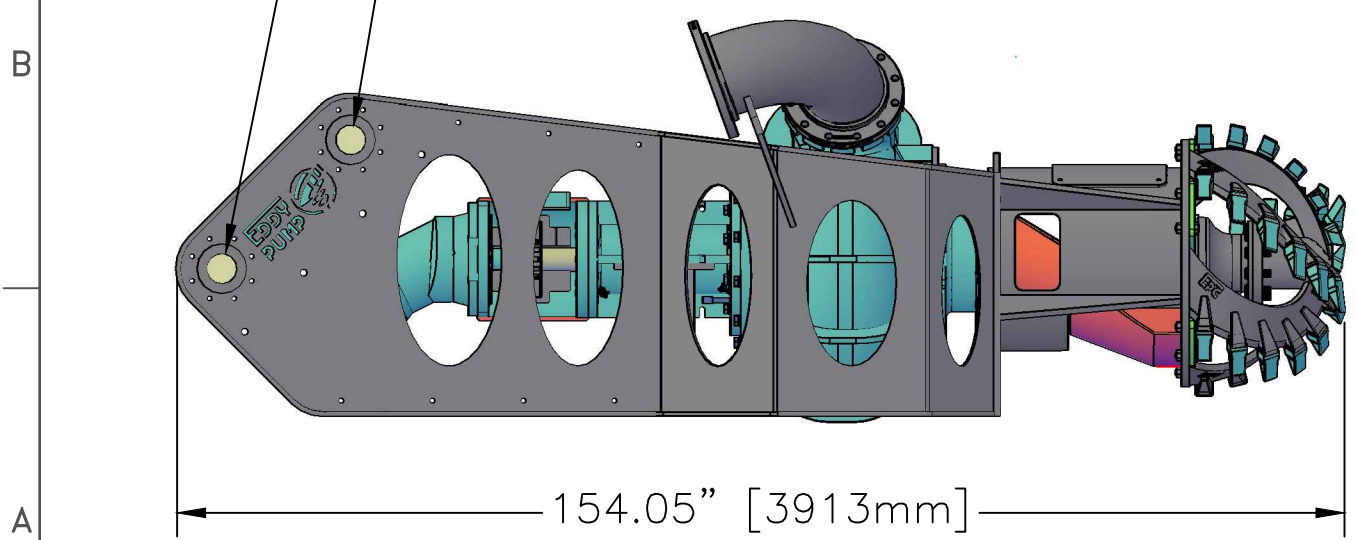
REVISIONS					
CHNGD BY	ZONE	REV.	DESCRIPTION	DATE	APPROVED
-	-	-	-	-	-



TB Linkage shown

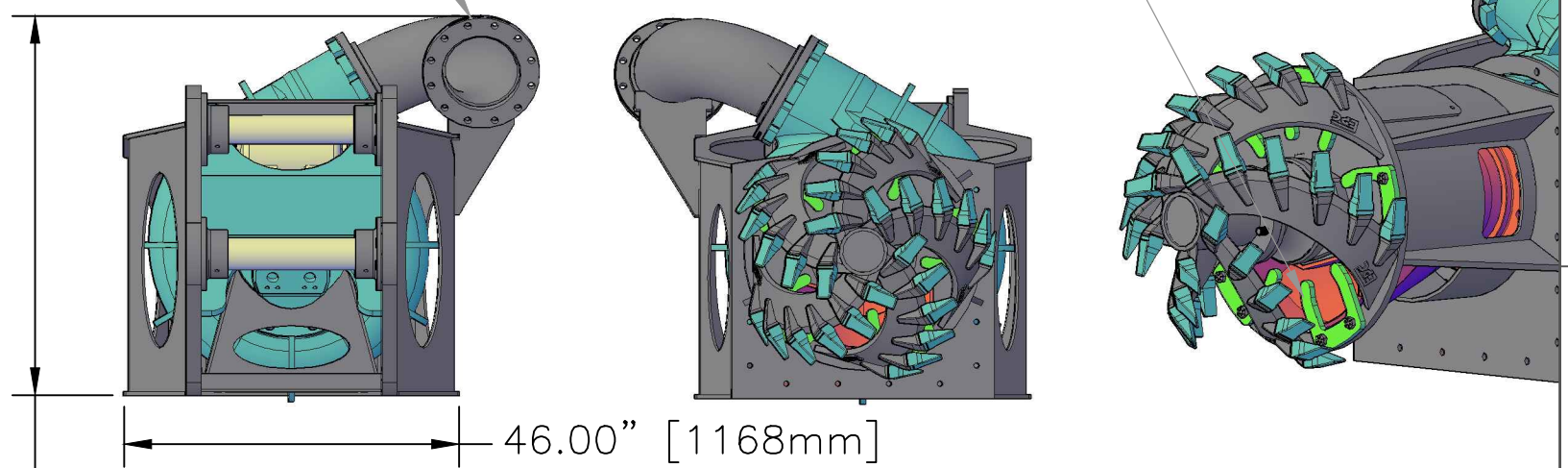
Stick Pin  $\phi 4.33$ " [ $\phi 110$ mm Sleeve]

Link Pin  $\phi 3.93$ " [ $\phi 100$ mm]



Standard 10" 150lb 12 bolt Flange

Optional Classifier Plates



NOTICE: THIS SHEET AND ALL INFORMATION THEREON IS CONFIDENTIAL PROPERTY OF EDDY PUMP CORPORATION. THE RECIPIENT, BY ACCEPTING THIS DOCUMENT ASSUMES CUSTODY AND CONTROL AND AGREES THAT THIS DOCUMENT WILL NOT BE REPRODUCED OR COPIED IN WHOLE OR IN PART, NOR ITS CONTENTS REVEALED IN ANY MANNER OR TO ANY PERSON EXCEPT TO MEET THE PURPOSE FOR WHICH IT WAS DELIVERED. © ALL RIGHTS RESERVED-2014 EPC MODEL NUMBER <b>EXF10500</b>	UNLESS OTHERWISE SPECIFIED DIMENSIONS ARE IN INCHES. TOLERANCES ARE: DECIMALS ANGLES .X ±.06 ±0.5° .XX ±.02 FRACTIONS .XXX ±.005 ±1/32 <b>DO NOT SCALE DRAWING</b>	DRAWN BY DW 12-19-16 CHECKED BY ENGINEER PROJECT MANAGER APPROVED BY REFERENCE DRAWING	<b>EDDY PUMP CORPORATION</b> 10500 Excavator Attachment General Assembly Drawing SIZE D FSCM NO. DWG. NO. REV. A SCALE NONE SHEET 1 OF 1
	MATERIAL		
	FINISH		

15405 OLD HWY 80  
ELCAON, CALIFORNIA 92021  
TEL (919) 258-7020  
FAX (919) 258-0305

	<b>STICK</b>	<b>LINK</b>	<b>FACE</b>		
Name	Dia (mm)	Dia (mm)	(mm)	(mm)	Type
307	45	45	186	306	XB
312, A Linkage	65	65	221	407	XB
315	70	70	281	463	XB
B Linkage	80	80	311	445 / 485	XB
S Linkage	80	80	311	485 / 512	XB
C Linkage	80	80	351	485 / 512	XB
CB Linkage	90	90	351	485 / 512	BF
D Linkage	90	80	385	485 / 512	XB
DB Linkage	100	90	385	500/528	BF
E Linkage	100	80	425	587	XB
F Linkage	100	80	441	587	XB
G Linkage	110	90	501	635	XB
TB Linkage	110	100	441	587	BF
UB Linkage	120	110	501	635	CF
V Linkage	110	90	501	630	XB
W Linkage	130	100	551	648	XB
VB Linkage	120	110	501	630	CF
WB Linkage	130	120	551	650	CF
H Linkage	130	100	551	585	XB
J Linkage	130	110	651	675	XB
HB Linkage	130	120	551	615	CF
JB Linkage	130	130	651	675	CF